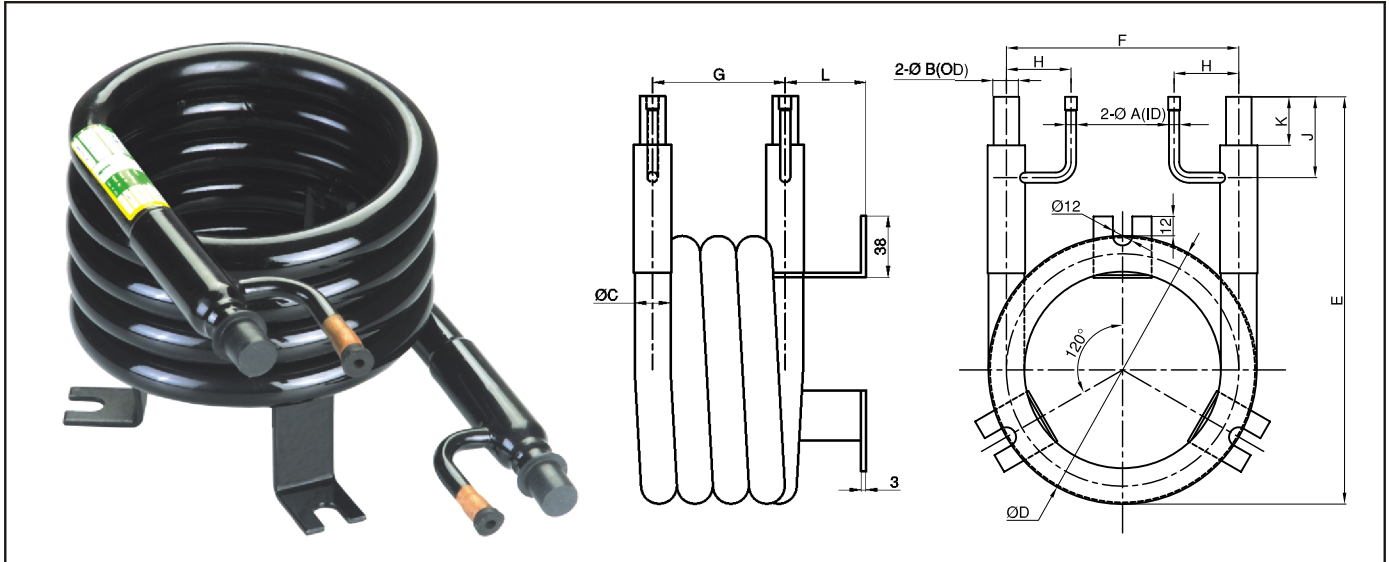


Dry ALL High Performance Coaxial Condensers are distinguished by a special design of the flow path. Furthermore, the counter flow principle for improved heat transfer is applied. It permits an extensive exploitation of the superheat of the hot refrigerant vapour and a sub-cooling of the liquid refrigerant.

The superheated refrigerant vapour flowing in the free space between the outer shell tube and the finned inner tubes cools down firstly and then condenses at the outside surface of the finned tubes. The condensate thus developed flows to the free space at the bottom of the system.

The cooling medium, e. g. the domestic or central heating water to be heated, flows in the inner tubes according to the counter-flow principle, whereby, together with the exploitation of superheat, high water outlet temperatures, possibly above the condensing temperature and a thorough sub-cooling of the condensate are obtained.

Design Working Pressure: Refrigerant Side 600 PSIG and Water Side 220 PSIG



Mbel No.	Nom. Ton	Refrigerant Connection		Ø C"	Ø D		E		F		G		H		J		K		L	
		IN/OUT (I.D.)	IN/OUT (O.D.)		mm	inch	mm	inch	mm	inch	mm	inch	mm	inch	mm	inch	mm	inch	mm	inch
		A	B																	
DA-COAX-0050GT	1/2	3/8"	5/8"	7/8"	166	6.54	252	9.92	146	5.75	59	2.32	40	1.57	50	1.97	30	1.18	50	1.97
DA-COAX-0055GT	3/4	3/8"	5/8"	7/8"	166	6.54	252	9.92	146	5.75	82	3.23	40	1.57	50	1.97	30	1.18	50	1.97
DA-COAX-0060GT	1	3/8"	5/8"	7/8"	166	6.54	252	9.92	146	5.75	106	4.17	40	1.57	50	1.97	30	1.18	50	1.97
DA-COAX-0075GT	1 1/2	3/8"	18mm	1"	248	9.76	340	13.39	230	9.06	94	3.70	50	1.97	50	1.97	30	1.18	50	1.97

FUSIBLE PLUG

Dry All Fusible Plug is a heat sensitive, thermally operated, non-reclosing pressure relief devices to function by the yielding or melting of the special fusible alloy. Fusible plugs are manufactured using a special alloy & process that assures a leak free and safe operation. The sensing temperature of the fusible material is clearly marked on each fusible plug.

Sizes available:

Size
1/4" NPT
3/8" NPT
1/2" NPT



Fusible Plugs Cautions :

Manufactured and tested in accordance with applicable standards.

Thermally operated non-reclosing pressure relief devices designed to function by the yielding or melting of fusible alloy.

Limited to use in applications where the service pressure dose not exceed 500 psig (3440 kpa).

Does not protect against over pressure from improper charging practices.

Should be used in an environment where the maximum ambient temperature shall not exceeded prescribed temperature.

Fusible Plug Temperature Rating – 430° F / 221° C