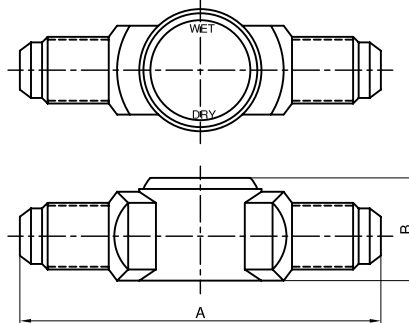


MOISTURE-LIQUID INDICATOR SIGHT GLASS

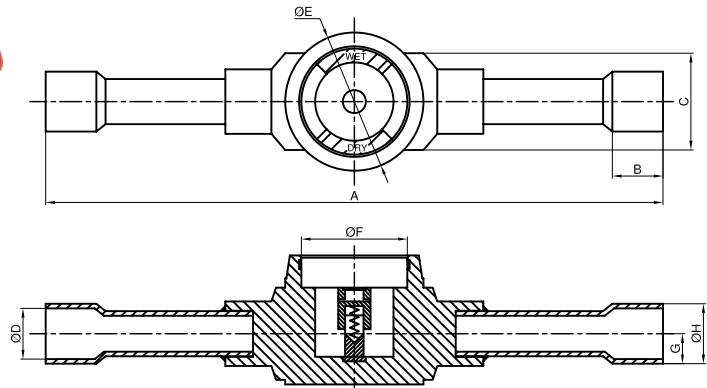
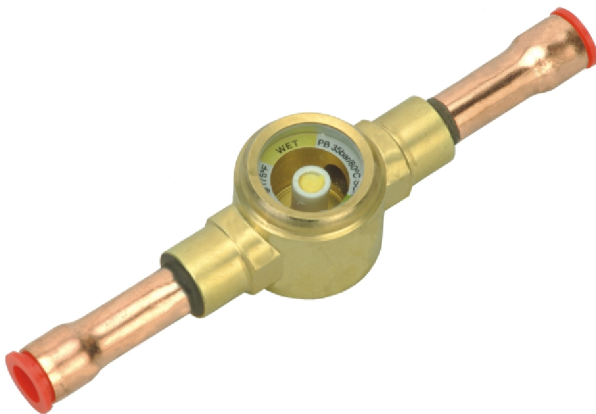
Dry All Liquid Indicators are made of Corrosion resistant single piece brass body with Leak free flare nuts with SAE models.

- 100% Copper extended tube which reduces installation time.
- Silver Brazed joints with Induction process, factory tested to ensure positive leak free performance.
- High visibility and clear lens assembly with tempered glass to view moisture and vapor.
- Indicative element is protected by Filter Screen and 3% Relative Humidity Sensitivity indication.
- Indicate moisture above 60 PPM (minimum).
- Single color coded indicator to show moisture content in PPM for all Refrigerants i.e. HCFC and HFC including R410A.
- Max operative Temperature - 50° C to + 150° C.
- Max working pressure 653 psig which is suitable for todays environmentally Friendly high pressure HCFC and HFC Refrigerants



Sr. No.	Model No.	End Connection	A		B	
			mm	inch	mm	inch
1	DSG-02F	1/4"SAE	76	2.99	28	1.10
2	DSG-03F	3/8"SAE	79	3.11	28	1.10
3	DSG-04F	1/2"SAE	82	3.23	28	1.10
4	DSG-05F	5/8"SAE	82	3.23	28	1.10

Moisture-liquid Indicator Sight Glass ODS Connection



Sr. No	Model No.	End Connection	A		B		C		D		E		F		G		H	
			mm	inch	mm	inch	mm	inch	mm	inch	mm	inch	mm	inch	mm	inch	mm	inch
1	DSG - 02S	1/4" ODS	101	3.98	8	0.31	14	0.55	6.35	0.25	27	1.06	20	0.79	10	0.39	24	0.94
2	DSG - 03S	3/8" ODS	119	4.69	9	0.35	14	0.55	9.52	0.37	27	1.06	20	0.79	10	0.39	24	0.94
3	DSG - 04S	1/2" ODS	146	5.75	12	0.47	22	0.87	12.7	0.50	32	1.26	25	0.98	12	0.47	30	1.18
4	DSG - 05S	5/8" ODS	146	5.75	12	0.47	22	0.87	15.8	0.62	32	1.26	25	0.98	12	0.47	30	1.18
5	DSG - 06S	3/4" ODS	173	6.81	14	0.55	27	1.06	19.05	0.75	32	1.26	25	0.98	16	0.63	37	1.46
6	DSG - 07S	7/8" ODS	173	6.81	19	0.75	27	1.06	22.2	0.87	32	1.26	25	0.98	16	0.63	37	1.46